

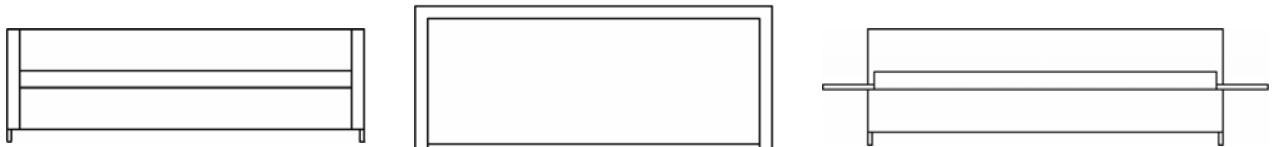


Welcome to our Custom Bed Design Center

At Axel Bloom, we can help you not only select the most suitable bed system for your sleep from our standard collection, but also custom-make any bed system for you. If you are an Interior Designer, or wish to make a custom mattress, bed frame or bed base, we can work with you to accommodate the custom dimensions of your bed design by making each mattress, bed base, and frame fit correctly. We can also custom-make any component of our bed in any dimension, including the height of our feet.

We have made custom size mattresses and bases for antique bed frames and European bed frames (our beds are made in Austria). We have even made custom sofas from our bed frames and bed bases.

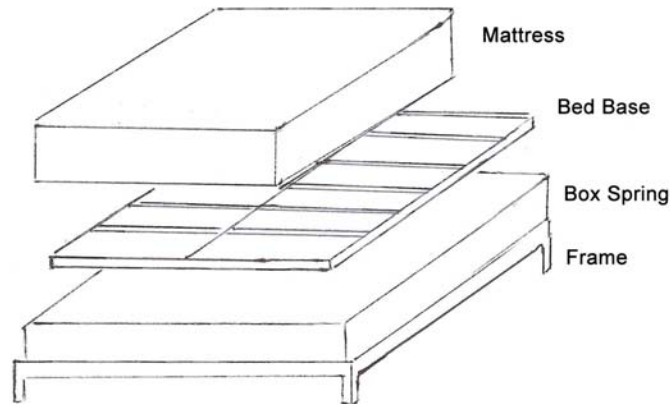
In this example below, the sofa is styled after our Austroflex bed frame. It is a half-queen size sofa which has our Vitaflex bed base and DW200 mattress.



Steps to Install or Design Axel Bloom's Bed Base for your Bed Frame

Our bed bases can be installed in several ways:

- a. If you have a coil-spring mattress with a box-spring, you can remove your mattress and place our bed-base on top of the box-spring. You can then either place your existing mattress or new mattress on our bed-base.

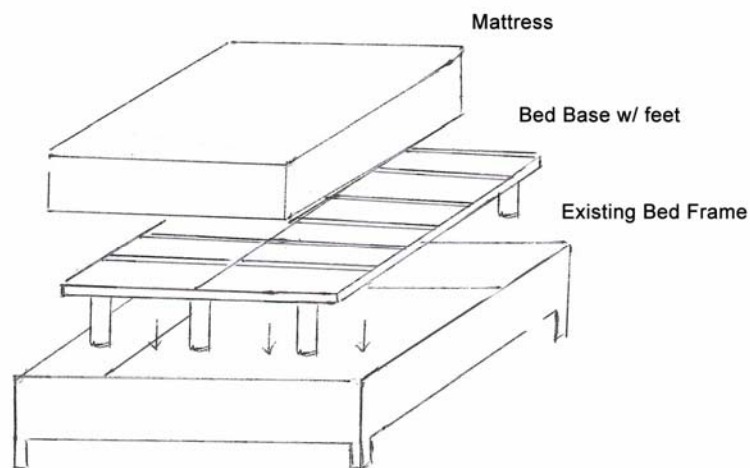


Usually the total height of our bed base plus our mattress equals the height of a coil-spring mattress (9-10 inches).
(Note: Our electric adjustable bed base has a motor which requires more space. See next section for guidelines.)

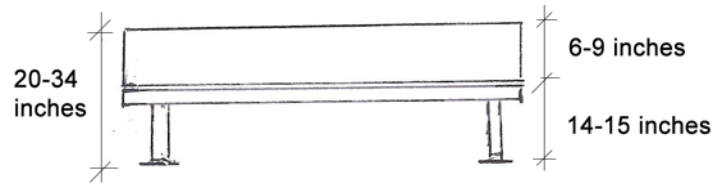
- b. If you wish to remove the coil-spring mattress and box-spring, you can replace them with our bed base in two ways.

- i. **Option One:**

Use the included bed base feet and “drop-in” the self-supporting bed with its feet into the bed frame. You should check that the height of our bed base from the floor to the top of the bed base is high enough so that after placing your existing or new mattress, the overall height is where you wish it to be.



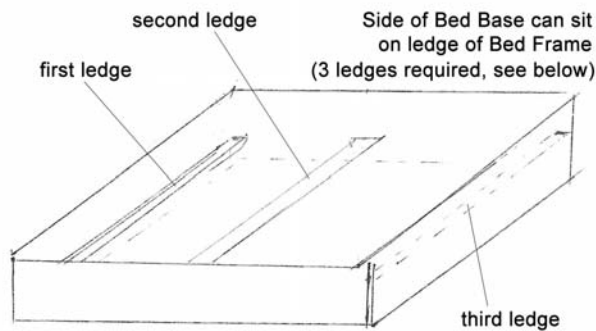
Typically, our bed base with our feet installed is 14-15 inches from the floor. If the mattress is 6-9 inches thick, then the overall height with the mattress would be 20-34 inches from the floor.



ii. Option Two:

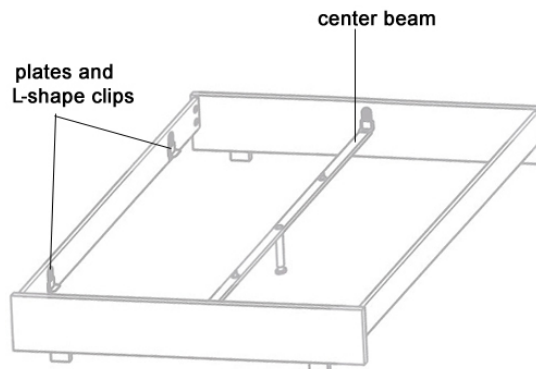
(Recommended for Electric Adjustable Bed Base)

If you wish to install our bed base without the feet, you may do so by supporting the sides of the bed base with the existing ledges of your bed frame or purchase an installation kit from us.



Axel Bloom Bed Base Support Kit:

- 6 attachment plates to drill in frame to hold the clips
- 4 L-shaped Adjustable Support Clip
- 1 Center beam w/ 2 clips to anchor the beam to the head and foot section



The Axel Bloom support system can raise or lower the bed base up to 3 inches by moving the clips up or down.